

REPAIR PARTS MANUAL
MODEL NO. REQ1192RB (REQ1192RBA)
Lawn Tractor

Rally
00137

HOW TO USE THIS MANUAL

This manual is designed to provide the customer with a means to identify the parts on his/her tractor when ordering repair parts. The illustrations may or may not represent the actual assemblies; therefore, it is not recommended to use this manual as a guide to assemble or disassemble the tractor. Some hardware and parts are drawn larger in order to more readily identify them.

Each tractor has its own model number.

The model number for your tractor can be found on the fender under the seat.

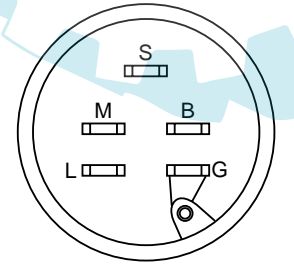
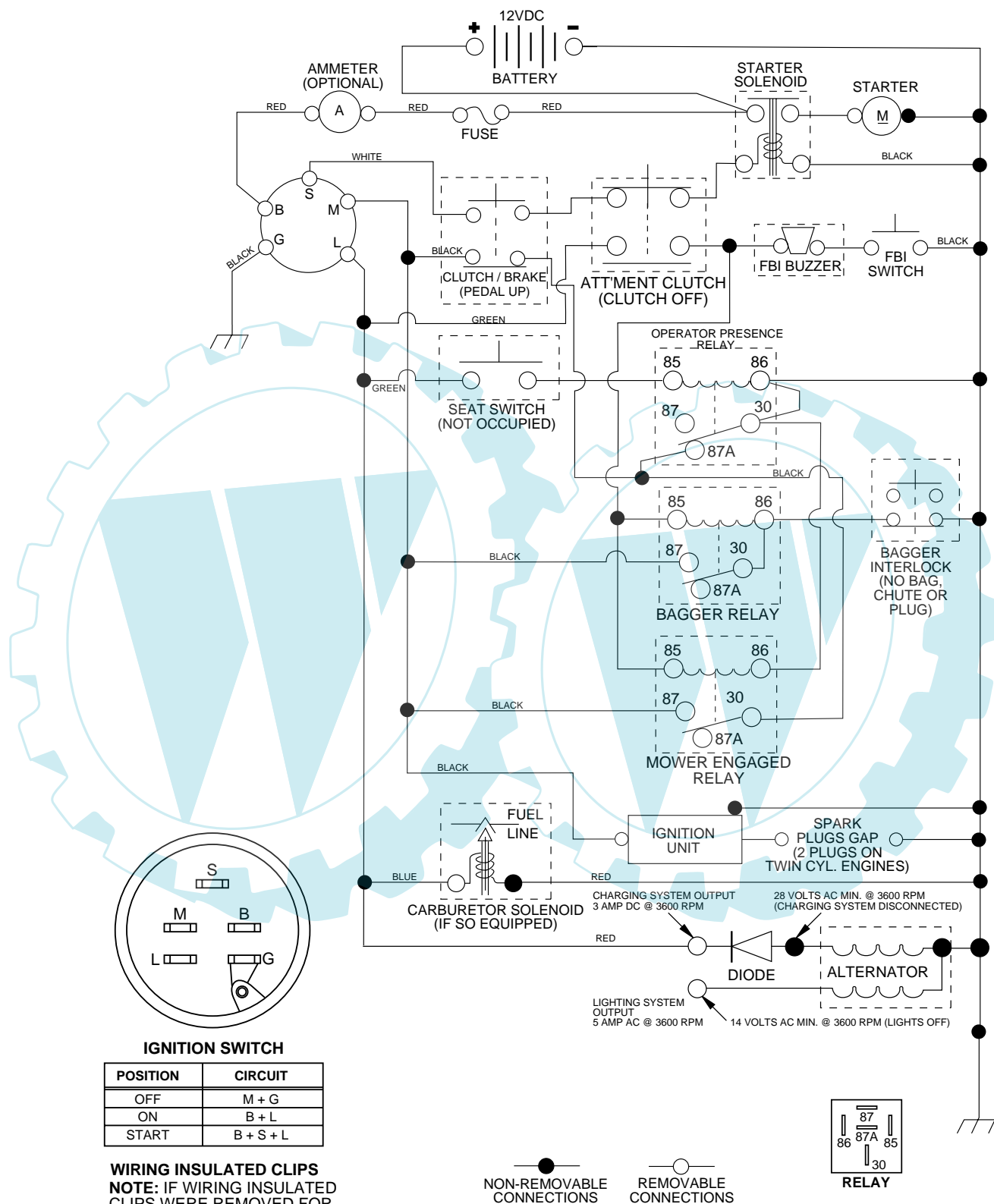
When ordering parts, always give the following information:

- Product - "Tractor"
- Model Number - "REQ1192RB (REQ1192RBA)"
- Part Number
- Part Description

TABLE OF CONTENTS

| | |
|-------------------------|--------------|
| SCHEMATIC | 3 |
| ELECTRICAL | 4-5 |
| CHASSIS | 6-7 |
| DRIVE | 8-9 |
| STEERING | 10-11 |
| SEAT | 12 |
| DECALS | 13 |
| ENGINE | 14-15 |
| MOWER LIFT | 16-17 |
| MOWER DECK | 18-19 |
| BAGGER | 20-21 |

**TRACTOR- -MODEL NO. REQ1192RB (REQ1192RBA), PRODUCT NO. 964 79 19-00
SCHEMATIC**

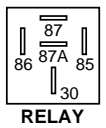


IGNITION SWITCH

| POSITION | CIRCUIT |
|----------|-----------|
| OFF | M + G |
| ON | B + L |
| START | B + S + L |

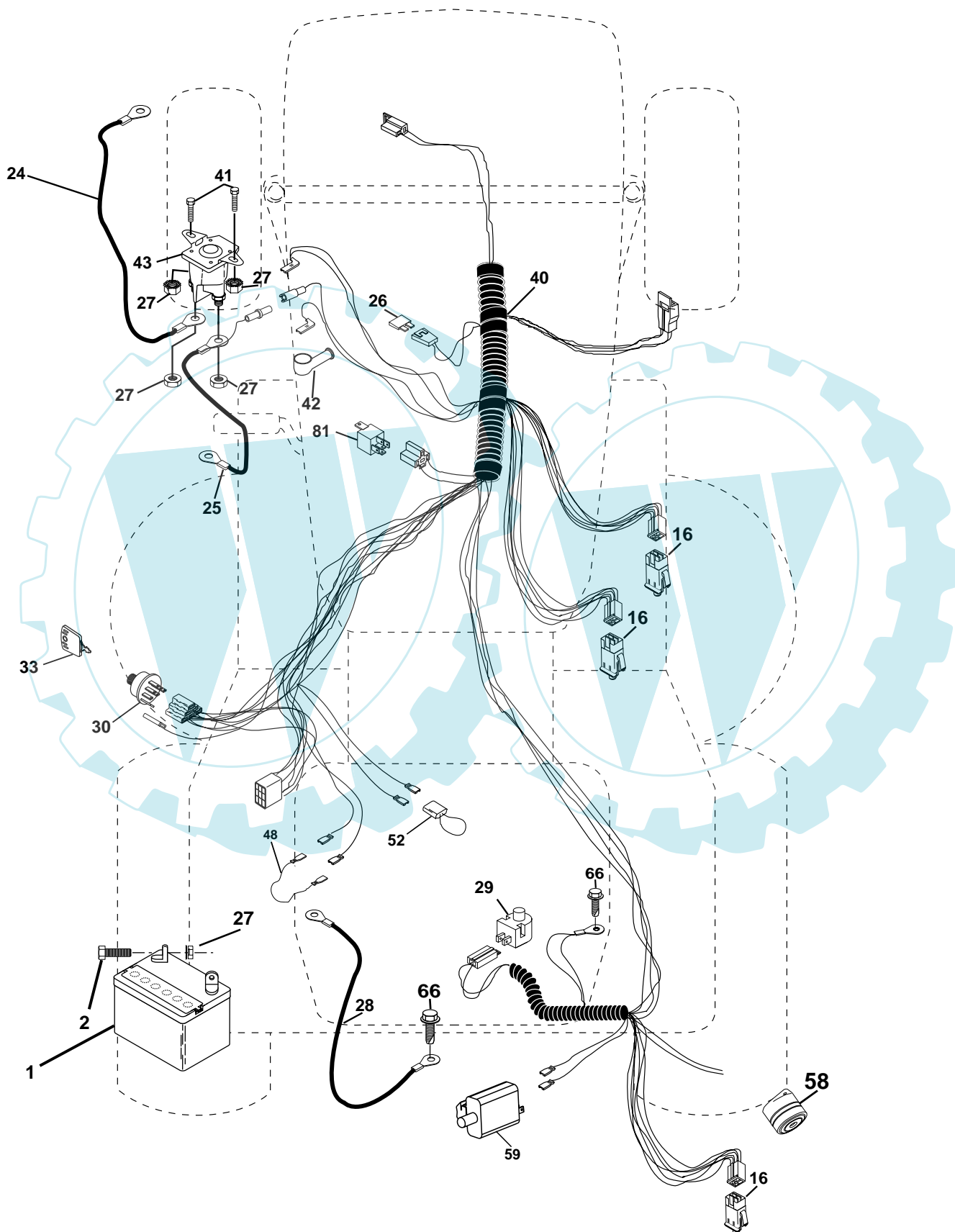
WIRING INSULATED CLIPS
NOTE: IF WIRING INSULATED CLIPS WERE REMOVED FOR SERVICING OF UNIT, THEY SHOULD BE REPLACED TO PROPERLY SECURE YOUR WIRING.

● NON-REMOVABLE CONNECTIONS
 ○ REMOVABLE CONNECTIONS



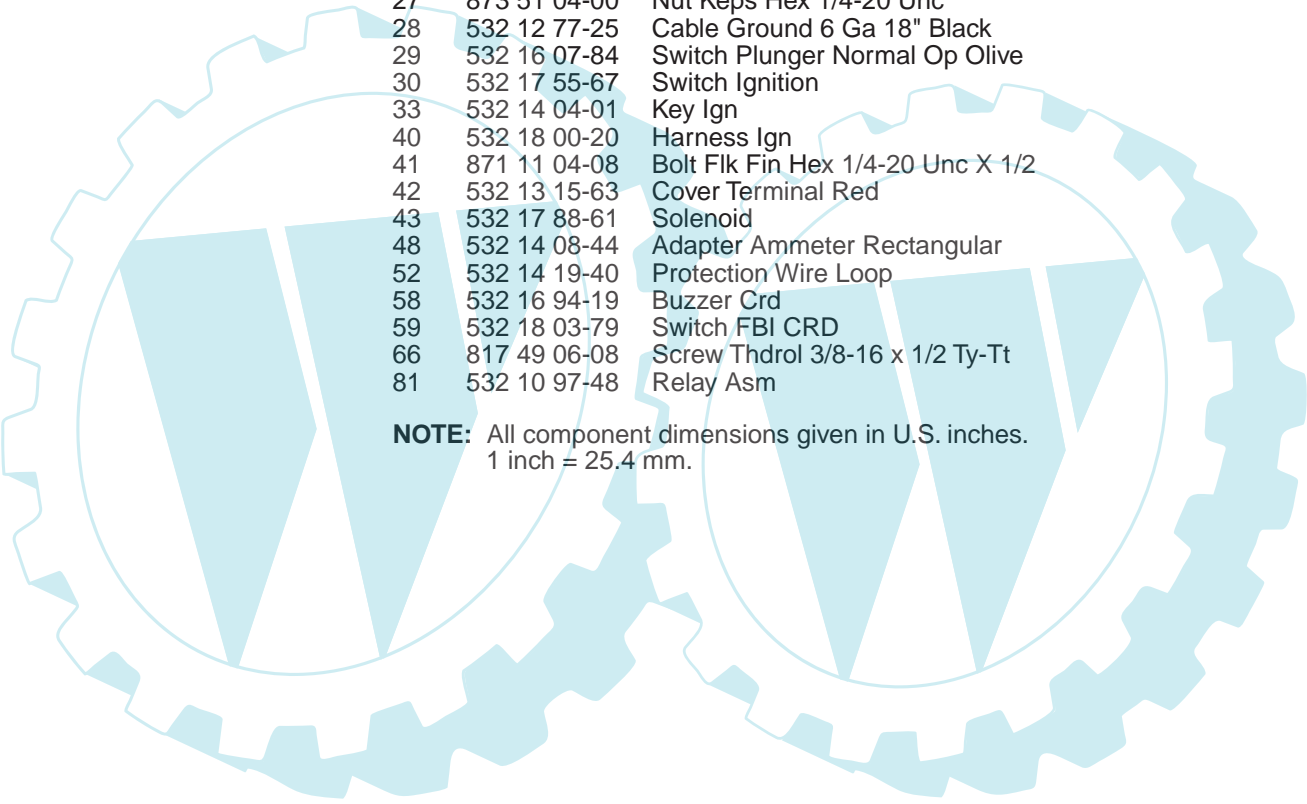
REPAIR PARTS

TRACTOR- -MODEL NO. REQ1192RB (REQ1192RBA), PRODUCT NO. 964 79 19-00
ELECTRICAL



REPAIR PARTS

TRACTOR- -MODEL NO. REQ1192RB (REQ1192RBA), PRODUCT NO. 964 79 19-00
ELECTRICAL

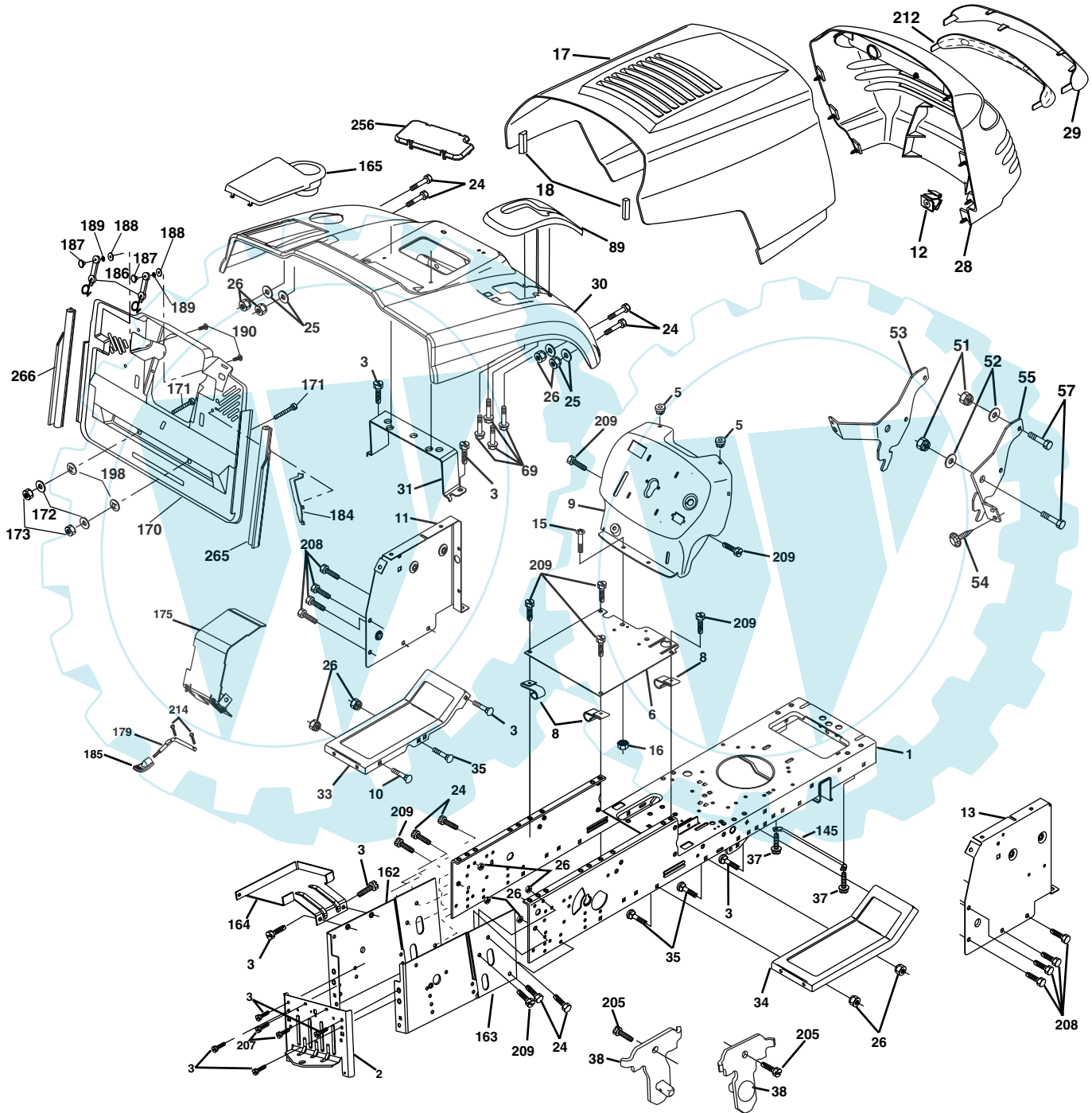


| KEY NO. | PART NO. | DESCRIPTION |
|---------|--------------|-----------------------------------|
| 1 | 532 16 34-65 | Battery |
| 2 | 874 76 04-12 | Bolt Hex Hd 1/4-20 Unc X 3/4 |
| 16 | 532 17 61-38 | Switch Interlock Push-In |
| 24 | 532 12 47-80 | Cable Starter 6Ga 11" Red |
| 25 | 532 16 59-87 | Cable Battery Crd 56" Red |
| 26 | 532 17 51-58 | Fuse 20 Amp |
| 27 | 873 51 04-00 | Nut Keps Hex 1/4-20 Unc |
| 28 | 532 12 77-25 | Cable Ground 6 Ga 18" Black |
| 29 | 532 16 07-84 | Switch Plunger Normal Op Olive |
| 30 | 532 17 55-67 | Switch Ignition |
| 33 | 532 14 04-01 | Key Ign |
| 40 | 532 18 00-20 | Harness Ign |
| 41 | 871 11 04-08 | Bolt Flk Fin Hex 1/4-20 Unc X 1/2 |
| 42 | 532 13 15-63 | Cover Terminal Red |
| 43 | 532 17 88-61 | Solenoid |
| 48 | 532 14 08-44 | Adapter Ammeter Rectangular |
| 52 | 532 14 19-40 | Protection Wire Loop |
| 58 | 532 16 94-19 | Buzzer Crd |
| 59 | 532 18 03-79 | Switch FBI CRD |
| 66 | 817 49 06-08 | Screw Thdrol 3/8-16 x 1/2 Ty-Tt |
| 81 | 532 10 97-48 | Relay Asm |

NOTE: All component dimensions given in U.S. inches.
1 inch = 25.4 mm.

REPAIR PARTS

TRACTOR- -MODEL NO. REQ1192RB (REQ1192RBA), PRODUCT NO. 964 79 19-00
CHASSIS AND ENCLOSURES



REPAIR PARTS

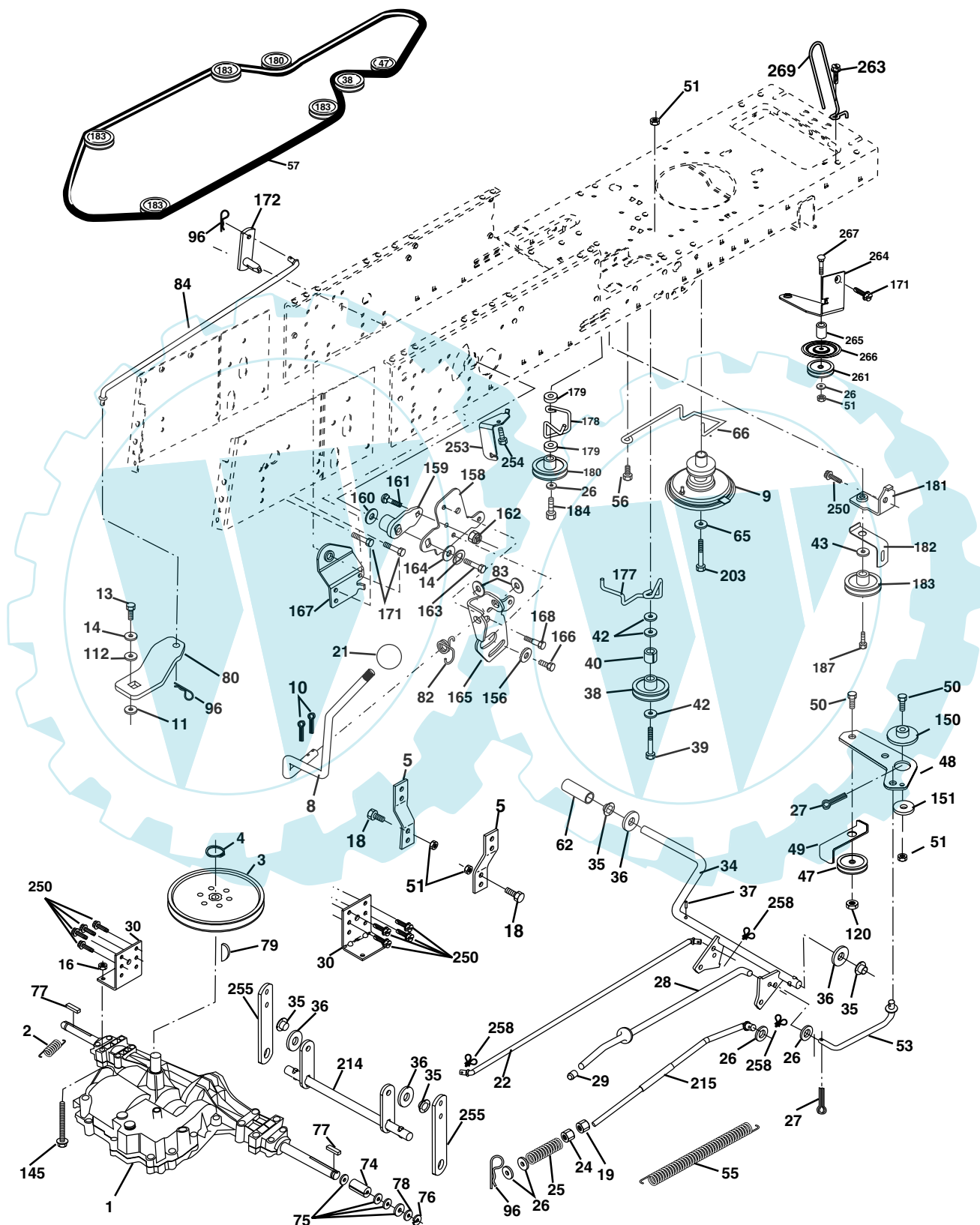
TRACTOR- -MODEL NO. REQ1192RB (REQ1192RBA), PRODUCT NO. 964 79 19-00
CHASSIS AND ENCLOSURES

| KEY NO. | PART NO. | DESCRIPTION | KEY NO. | PART NO. | DESCRIPTION |
|---------|--------------|--|---------|--------------|-----------------------------------|
| 1 | 532 17 46-20 | Chassis | 89 | 532 18 13-88 | Console |
| 2 | 532 18 03-84 | Drawbar | 145 | 532 15 65-24 | Rod Pivot Chassis/Hood |
| 3 | 817 06 06-12 | Screw 3/8-16 x .75 | 162 | 532 18 03-82 | Bracket Exten Chassis Lh CRD |
| 5 | 532 15 52-72 | Bumper Hood/Dash | 163 | 532 18 03-83 | Bracket Exten Chassis Rh CRD |
| 6 | 532 18 44-19 | Saddle | 164 | 532 16 56-05 | Support Battery CRD |
| 8 | 532 12 64-71 | Clip Insulator 13/32 Mtg. Hole | 165 | 532 18 13-56 | Cover Battery CRD Lt |
| 9 | 532 18 54-80 | Dash | 170 | 532 17 88-62 | Backplate CRD |
| 10 | 872 14 06-08 | Bolt, Carriage 3/8-16 x 3/4 | 171 | 872 14 06-20 | Bolt Rdhd Sqnk 3/8-16 x 2-1/2 G5 |
| 11 | 532 17 49-96 | Panel, Dash, L.H. | 172 | 819 13 20-16 | Washer 13/32 x 1-1/4 x 16 Ga. |
| 12 | 532 14 56-60 | Clip Tinnerman Grille P/L | 173 | 873 51 06-00 | Nut, Keps Hex 3/8-16 UNC |
| 13 | 532 18 17-19 | Panel, Asm. Dash R.H. | 175 | 532 18 03-10 | Trap Door CRD |
| 15 | 874 18 05-12 | Screw, Machine, Truss Head 5/16-18 UNC x 3/4 | 179 | 532 18 03-76 | Rod Pivot FBI CRD |
| 16 | 873 51 05-00 | Nut | 184 | 532 17 46-62 | Bracket Actuator Bagger CRD |
| 17 | 532 16 35-57 | Hood Assembly | 185 | 532 18 11-01 | Knob Rod |
| 18 | 532 18 49-21 | Bumper Hood | 186 | 532 16 07-93 | Latch Asm Mulch Bagger |
| 24 | 874 78 06-16 | Bolt | 187 | 532 12 50-04 | Nut Weld .327/.304 #10-24 |
| 25 | 819 13 13-12 | Washer 13/32 x 13/16 x 12 Ga. | 188 | 819 06 12-16 | Washer #10 |
| 26 | 873 80 06-00 | Nut | 189 | 810 07 10-00 | Washer Lock #10 |
| 28 | 532 17 91-03 | Grille Lens Asm | 190 | 871 08 10-10 | Screw Pan Hd Phillips 10-24 x 5/8 |
| 29 | 532 18 13-94 | Lens | 198 | 532 16 89-37 | Nut Push |
| 30 | 532 18 13-59 | Fender | 205 | 817 49 06-08 | Screw 3/8-16 x 1/2 |
| 31 | 532 16 51-56 | Bracket, Fender Support | 207 | 817 67 05-08 | Screw 5/16-18 x 1/2 |
| 33 | 532 18 11-93 | Footrest, L.H. | 208 | 817 67 06-08 | Screw Thdrol 3/8-16 x 1/2 |
| 34 | 532 18 11-94 | Footrest, R.H. | 209 | 817 00 06-12 | Screw Hex Wsh Thdrol 3/8-16 x 3/4 |
| 35 | 872 11 06-06 | Bolt | 212 | 532 15 62-29 | Insert Lens Reflective |
| 37 | 817 49 05-08 | Screw Thdrol 5/16-18 x 1/2 TYT | 214 | 532 12 47-88 | Retainer Spring 1" |
| 38 | 532 18 17-48 | Bracket Asm Pivot Mower Rear | 256 | 532 18 13-61 | Cover Fender Rack CRD |
| 51 | 873 80 04-00 | Nut Lock w/Insert 1/4-20 UNC | 265 | 532 18 57-04 | Seal RH Side Bagger |
| 52 | 819 09 14-16 | Washer 9/32 x 7/8 x 16 Ga. | 266 | 532 18 57-03 | Seal LH Side Bagger |
| 53 | 532 14 46-97 | Bracket Grille Lh | -- | 532 00 54-79 | Plug, Button |
| 54 | 532 16 14-64 | Screw Hex Wshd 8-18 x 7/8 | | | |
| 55 | 532 14 46-96 | Bracket Grille Rh | | | |
| 57 | 874 78 04-12 | Bolt, Fin Hex 1/4-20 UNC x .75 | | | |
| 69 | 532 14 24-32 | Screw Hex 1/4-1/2 | | | |

NOTE: All component dimensions given in U.S. inches.
1 inch = 25.4 mm.

REPAIR PARTS

TRACTOR- -MODEL NO. REQ1192RB (REQ1192RBA), PRODUCT NO. 964 79 19-00
DRIVE



REPAIR PARTS

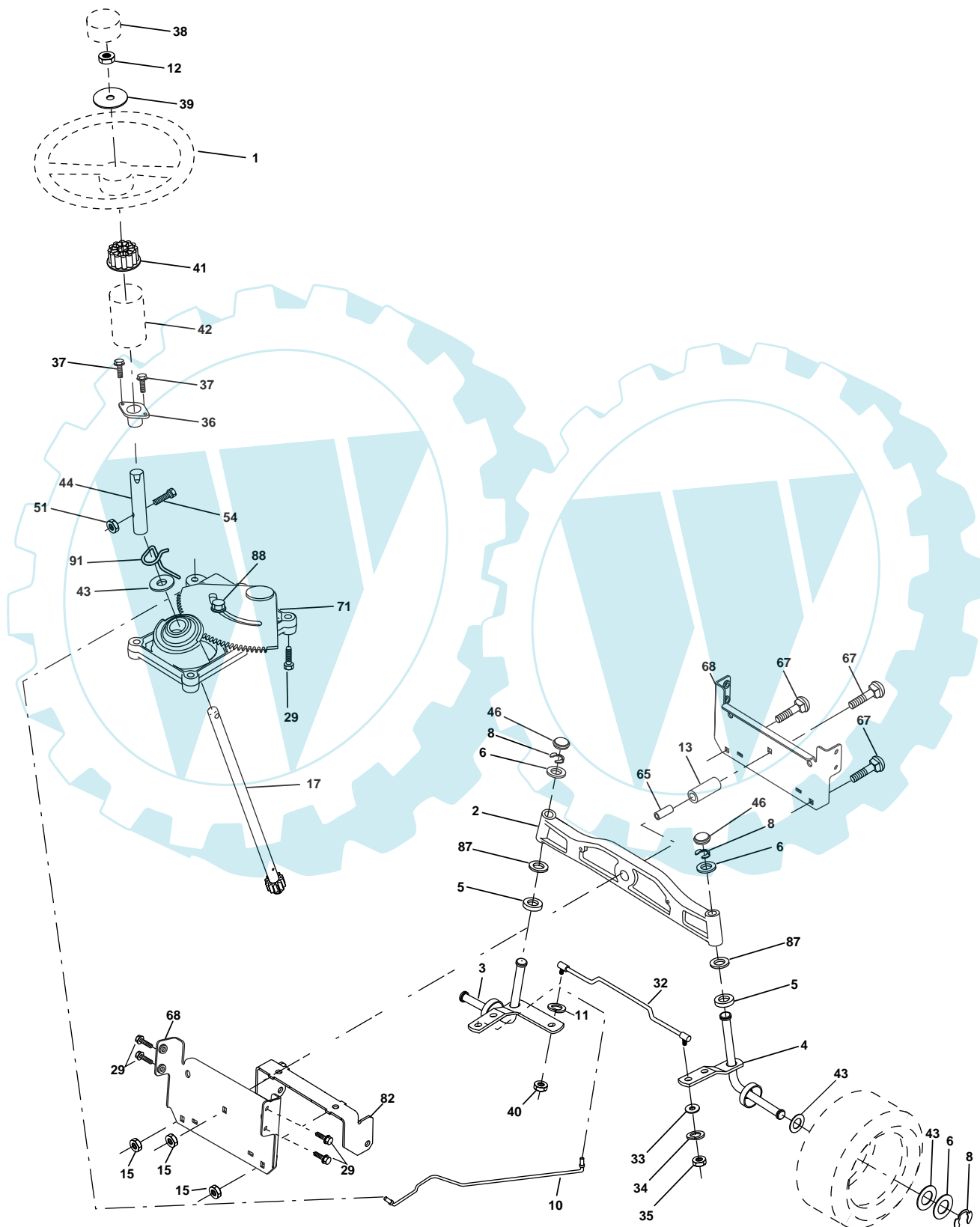
TRACTOR- -MODEL NO. REQ1192RB (REQ1192RBA), PRODUCT NO. 964 79 19-00
DRIVE

| KEY NO. | PART NO. | DESCRIPTION | KEY NO. | PART NO. | DESCRIPTION |
|---------|--------------|---|---------|--------------|------------------------------------|
| 1 | ----- | Transaxle Peerless 206-546 Order parts from transaxle manufacturer | 82 | 532 16 57-11 | Spring, Torsion |
| 2 | 532 14 66-82 | Spring Brake Return | 83 | 819 17 12-16 | Washer 17/32 x 3/4 x 16 Ga. |
| 3 | 532 16 59-99 | Pulley Transaxle | 84 | 532 16 56-21 | Link Shift CRD Pmst 18" Tires |
| 4 | 812 00 00-28 | Ring Retainer #5100-62 | 96 | 532 12 47-88 | Spring, Retainer 1" |
| 5 | 532 12 15-20 | Strap torque 30 degrees | 112 | 819 09 12-10 | Washer 9/32 x 3/4 x 10 Ga. |
| 8 | 532 16 56-19 | Rod Shift Fender Adjust Lt | 120 | 873 90 06-00 | Nut Lock 3/8-16 |
| 9 | 532 18 03-54 | Clutch Asm Noram | 145 | 874 49 05-40 | Bolt Hex FGHD 5/16-18 x Gr 5 |
| 10 | 876 02 04-16 | Pin, Cotter 1/8 x 1 | 150 | 532 16 58-50 | Bushing, Bellcrank Grnd Dr |
| 11 | 532 10 57-01 | Washer Plate Shf .3888 sq hole | 151 | 819 13 32-10 | Washer 13/32 x 2 x 10 Ga. |
| 13 | 874 55 04-12 | Bolt 1/4-28 Unf Gr 8 w/patch | 156 | 532 16 60-02 | Washer Srrd 5/16 ID x 1.125 |
| 14 | 810 04 04-00 | Washer, Lock Hvy Helical | 158 | 532 16 55-89 | Bracket Shift Mount |
| 16 | 873 80 05-00 | Nut, Lock Hex w/Ins 5/16-18 unc | 159 | 532 16 54-94 | Hub Tapered Flange Shift Lt |
| 18 | 874 78 06-16 | Bolt Hex 3/8-16 UNC x 1 Gr.5 | 160 | 819 29 20-16 | Washer 29/32 x 1-1/4 x 16 Ga |
| 19 | 873 80 06-00 | Nut, Lock Hex w/Wsh 3/8-16 UNC | 161 | 872 14 04-06 | Bolt Rdhd Sqnk 1/4-20 x 3/4 Gr 5 |
| 21 | 532 10 69-33 | Knob Round 1/2-13 Unc Blk | 162 | 873 68 04-00 | Nut Crownlock 1/4-20 Unc |
| 22 | 532 17 56-07 | Rod, Brake CRD Main | 163 | 874 78 04-16 | Bolt Hex Fin 1/4-20 Unc x 1 Gr 5 |
| 24 | 873 35 06-00 | Nut | 164 | 819 09 10-10 | Washer 5/8 x .281 x 10 Ga. |
| 25 | 532 10 68-88 | Spring, Rod, Brake | 165 | 532 16 56-23 | Bracket Pivot Lever |
| 26 | 819 13 13-16 | Washer 13/32 x 13/16 x 16 Ga. | 166 | 532 16 68-80 | Screw 5/16-18 x 5/8 |
| 27 | 876 02 04-12 | Pin, Cotter 1/8 x 3/4 | 167 | 532 16 55-88 | Bracket Support Shift CRD |
| 28 | 532 17 57-65 | Rod, Parking Brake | 168 | 532 16 54-92 | Bolt Shoulder 5/16-18 x .561 |
| 29 | 532 07 16-73 | Cap, Parking Brake | 171 | 817 49 06-08 | Screw Thdrol 3/8-16 x 1/2 Ty-Tt |
| 30 | 532 17 49-73 | Bracket, Mfg. Transaxle | 172 | 532 16 56-35 | Shaft Asm Shift Front CRD PMST |
| 34 | 532 17 55-78 | Shaft, Asm Pedal Foot CRD | 177 | 532 16 59-32 | Keeper Flat Idler 3.06" CRD |
| 35 | 532 12 01-83 | Bearing, Nylon | 178 | 532 16 59-33 | Keeper Belt Idler 1.88" CRD |
| 36 | 819 21 16-16 | Washer 21/32 x 1 x 16 Ga. | 179 | 532 12 09-58 | Washer Sintered |
| 37 | 532 12 49-63 | Pin, Roll 3/16 x 1" | 180 | 532 16 56-30 | Pulley Flat Composite 3.06" |
| 38 | 532 16 59-36 | Pulley, Flat | 181 | 532 18 02-11 | Bracket Idler Ground Drive CRD |
| 39 | 874 76 06-44 | Bolt Fin Hex 3/8-16 Unc x 2-3/4 | 182 | 532 18 26-82 | Keeper Belt 2.5" Od V-Idler CRD |
| 40 | 532 12 49-65 | Spacer, Split 395 x 59 Bzp | 183 | 532 17 90-50 | Pulley V-Idler 2.50" Od CRD |
| 42 | 819 13 13-12 | Washer 13/32 x 13/16 x 12 Ga. | 184 | 817 49 06-44 | Screw Hexwsh Thdrol 3/8-16 x 2-3/4 |
| 43 | 819 11 10-12 | Washer 11/32 x 5/8 x 12 Ga. | 187 | 817 58 05-20 | Screw 5/16-18 x 1.25 |
| 47 | 532 12 77-83 | Pulley, Idler, V Groove Plasic | 203 | 871 17 07-80 | Bolt Hex 7/16-20 x 5 |
| 48 | 532 15 44-07 | Bellcrank Clutch Grnd Drv | 214 | 532 17 56-09 | Shaft Asm. Brake |
| 49 | 532 12 32-05 | Retainer, Belt Style Spring | 215 | 532 17 56-51 | Rod Brake Secondary |
| 50 | 872 11 06-12 | Bolt Carr Sh 3/8-16 x 1-1/2 Gr. 5 | 250 | 817 06 06-12 | Screw 3/8-16 x .75 |
| 51 | 873 68 06-00 | Nut, Crownlock 3/8-16 UNC | 253 | 532 17 50-28 | Bracket Cable Chassis |
| 53 | 532 10 57-10 | Link, Clutch 7.66 | 254 | 817 00 06-16 | Screw 3/8-16 x 1 |
| 55 | 532 10 57-09 | Spring, Return, Clutch | 255 | 532 17 56-08 | Brace Shaft Brake |
| 56 | 817 06 06-20 | Screw 3/8-16 x 1-1/4 | 258 | 532 17 80-62 | Clip Retainer |
| 57 | 532 16 56-31 | V-Belt Kev PMST CRD | 261 | 532 13 14-94 | Pulley Idler Flat Plated |
| 62 | 532 12 48-72 | Cover, Pedal | 263 | 817 00 06-12 | Screw Hex Wsh THDR 3/8-16 x 3/4 |
| 65 | 810 04 07-00 | Washer | 264 | 532 18 19-95 | Bracket Clutch |
| 66 | 532 15 47-78 | Keeper, Belt Engine F-Proof | 265 | 532 18 20-13 | Spacer Idler Chassis |
| 74 | 532 13 70-57 | Spacer Axle | 266 | 532 18 20-61 | Shield Idler |
| 75 | 532 12 17-49 | Washer 25/32 x 1-1/4 x 16 Ga. | 267 | 872 14 06-26 | Bolt Rd Sqk 3/8-16 x 3-1/4 |
| 76 | 812 00 00-01 | Ring, E | 269 | 532 18 24-02 | Guard Muffler OHV B&S RH |
| 77 | 532 12 35-83 | Key, Square | | | |
| 78 | 532 12 17-48 | Washer 25/32 x 1-5/8 x 16 Ga. | | | |
| 79 | 532 12 50-96 | Key Woodruff | | | |
| 80 | 532 14 50-90 | Arm Shift PMST 20" Tires | | | |

NOTE: All component dimensions given in U.S. inches
1 inch = 25.4 mm

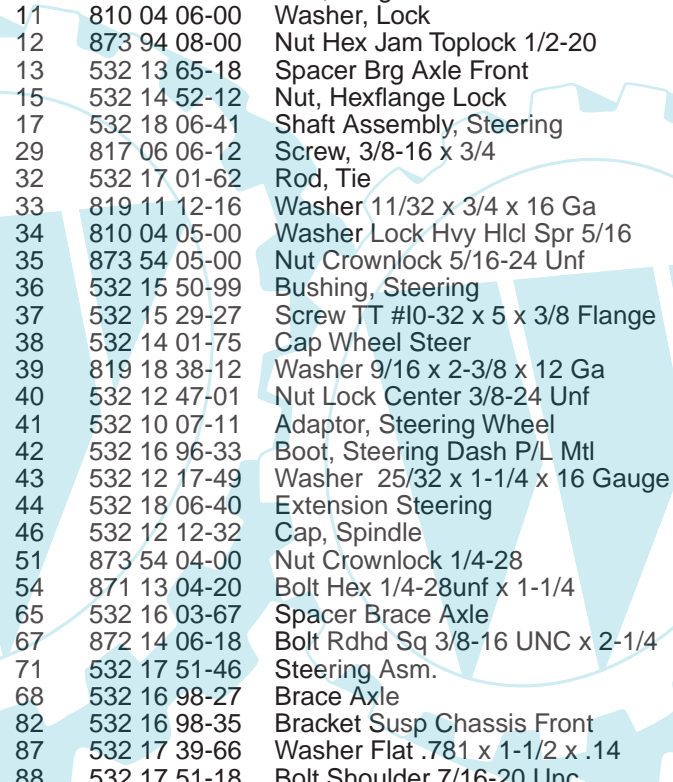
REPAIR PARTS

TRACTOR- -MODEL NO. REQ1192RB (REQ1192RBA), PRODUCT NO. 964 79 19-00
STEERING ASSEMBLY



REPAIR PARTS

TRACTOR- -MODEL NO. REQ1192RB (REQ1192RBA), PRODUCT NO. 964 79 19-00
STEERING ASSEMBLY

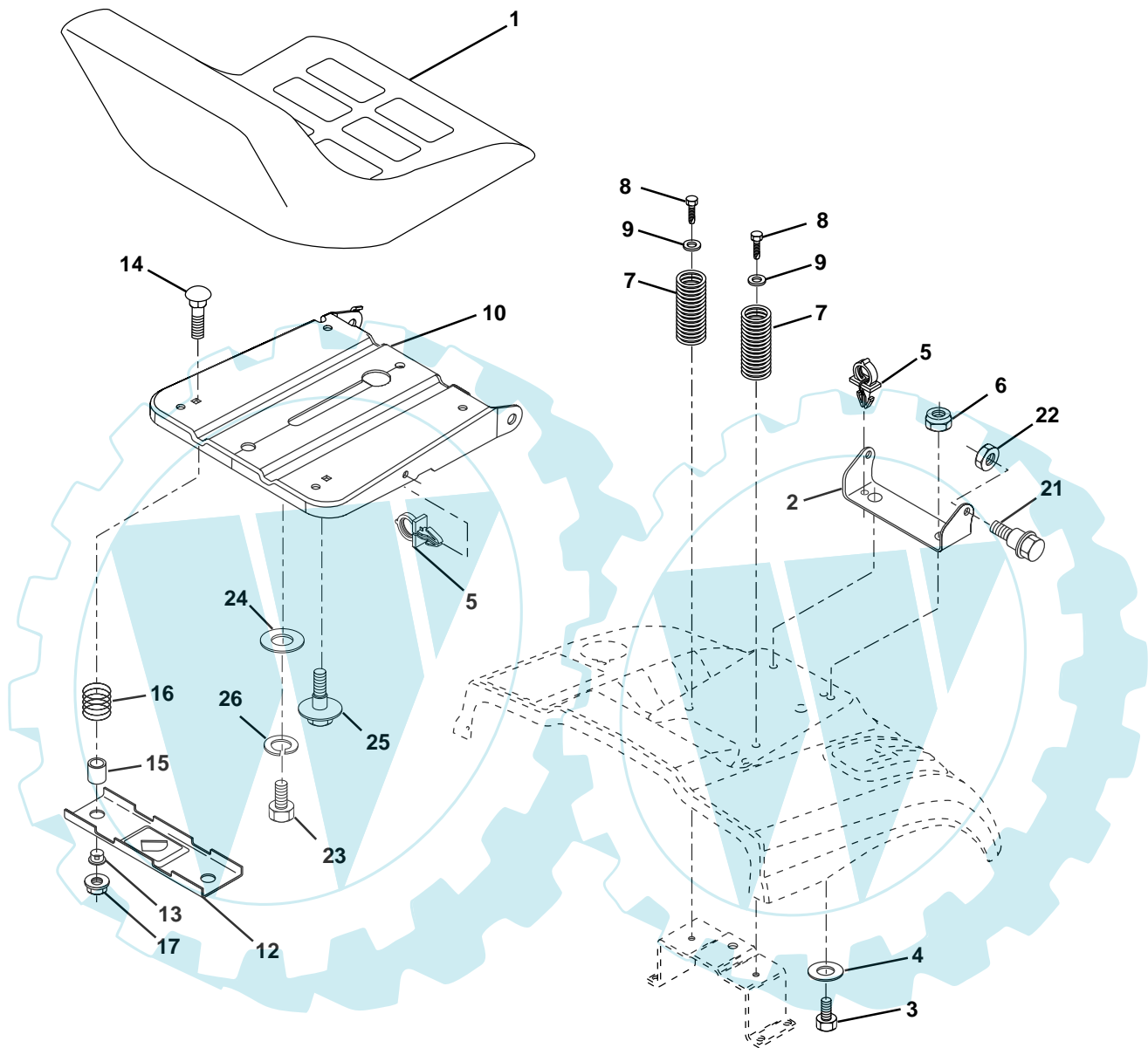


| KEY NO. | PART NO. | DESCRIPTION |
|---------|--------------|----------------------------------|
| 1 | 532 13 97-68 | Steering Wheel |
| 2 | 532 17 23-93 | Cast Iron Axle Assembly |
| 3 | 532 16 98-40 | Spindle Assembly, L.H. |
| 4 | 532 16 98-39 | Spindle Assembly, R.H. |
| 5 | 532 12 49-31 | Bearing, Race, Thrust, Hardened |
| 6 | 532 12 17-48 | Washer 25/32 x 1-5/8 x 16 Gauge |
| 8 | 812 00 00-29 | Ring, Klip |
| 10 | 532 17 51-21 | Link, Drag |
| 11 | 810 04 06-00 | Washer, Lock |
| 12 | 873 94 08-00 | Nut Hex Jam Toplock 1/2-20 |
| 13 | 532 13 65-18 | Spacer Brg Axle Front |
| 15 | 532 14 52-12 | Nut, Hexflange Lock |
| 17 | 532 18 06-41 | Shaft Assembly, Steering |
| 29 | 817 06 06-12 | Screw, 3/8-16 x 3/4 |
| 32 | 532 17 01-62 | Rod, Tie |
| 33 | 819 11 12-16 | Washer 11/32 x 3/4 x 16 Ga |
| 34 | 810 04 05-00 | Washer Lock Hvy Hlcl Spr 5/16 |
| 35 | 873 54 05-00 | Nut Crownlock 5/16-24 Unf |
| 36 | 532 15 50-99 | Bushing, Steering |
| 37 | 532 15 29-27 | Screw TT #10-32 x 5 x 3/8 Flange |
| 38 | 532 14 01-75 | Cap Wheel Steer |
| 39 | 819 18 38-12 | Washer 9/16 x 2-3/8 x 12 Ga |
| 40 | 532 12 47-01 | Nut Lock Center 3/8-24 Unf |
| 41 | 532 10 07-11 | Adaptor, Steering Wheel |
| 42 | 532 16 96-33 | Boot, Steering Dash P/L Mtl |
| 43 | 532 12 17-49 | Washer 25/32 x 1-1/4 x 16 Gauge |
| 44 | 532 18 06-40 | Extension Steering |
| 46 | 532 12 12-32 | Cap, Spindle |
| 51 | 873 54 04-00 | Nut Crownlock 1/4-28 |
| 54 | 871 13 04-20 | Bolt Hex 1/4-28unf x 1-1/4 |
| 65 | 532 16 03-67 | Spacer Brace Axle |
| 67 | 872 14 06-18 | Bolt Rdhd Sq 3/8-16 UNC x 2-1/4 |
| 71 | 532 17 51-46 | Steering Asm. |
| 68 | 532 16 98-27 | Brace Axle |
| 82 | 532 16 98-35 | Bracket Susp Chassis Front |
| 87 | 532 17 39-66 | Washer Flat .781 x 1-1/2 x .14 |
| 88 | 532 17 51-18 | Bolt Shoulder 7/16-20 Unc |
| 91 | 532 17 55-53 | Clip Steering |

NOTE: All component dimensions given in U.S. inches.
1 inch = 25.4 mm.

REPAIR PARTS

TRACTOR- -MODEL NO. REQ1192RB (REQ1192RBA), PRODUCT NO. 964 79 19-00
SEAT ASSEMBLY



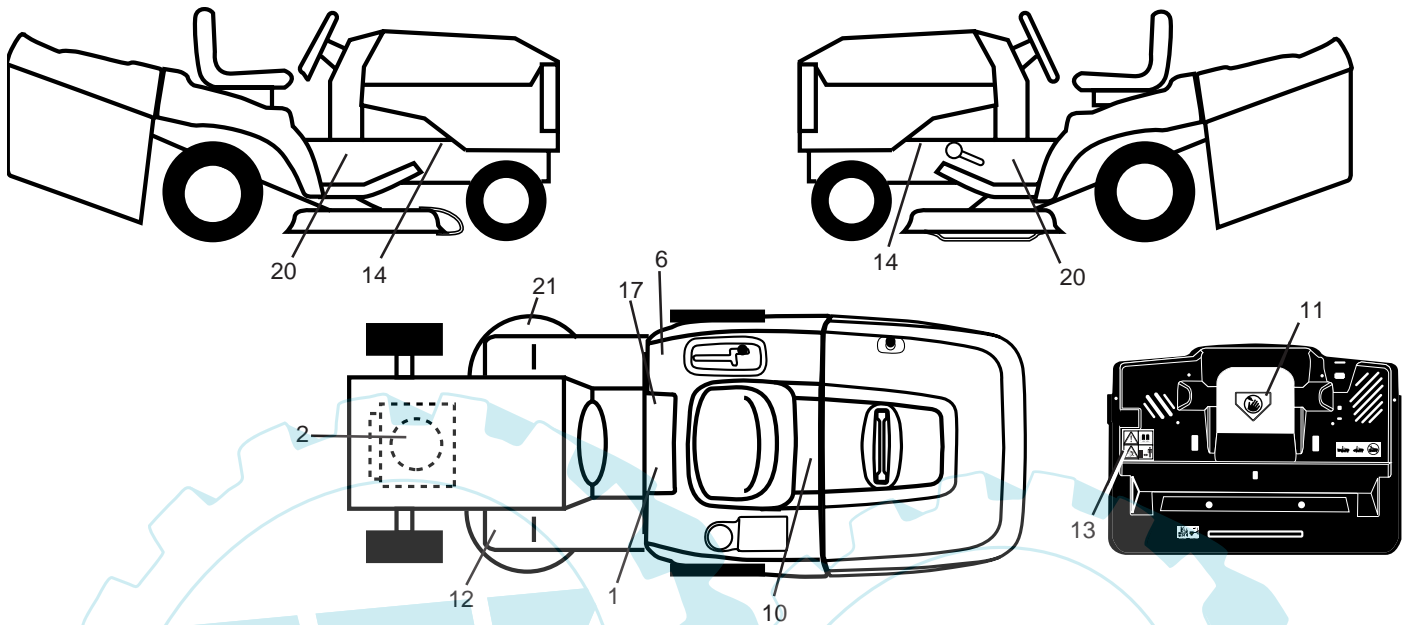
| KEY NO. | PART NO. | DESCRIPTION |
|---------|--------------|--------------------------------|
| 1 | 532 17 53-89 | Seat |
| 2 | 532 14 05-51 | Bracket Pnt Pivot Seat (blk) |
| 3 | 871 11 06-16 | Bolt Fin Hex 3/8-16 Unc x 1 |
| 4 | 819 13 16-10 | Washer Flat 13/32 x 1 x 10 Ga. |
| 5 | 532 14 50-06 | Clip Push In Hinged |
| 6 | 873 80 06-00 | Nut Lock Hex 3/8-16 Unc |
| 7 | 532 12 41-81 | Spring Seat Cprsn 2 250 Blk Zi |
| 8 | 817 00 06-16 | Screw 3/8-16 X 1-1/2 |
| 9 | 819 13 16-14 | Washer 13/32 X 1 X 14 Ga |
| 10 | 532 18 24-93 | Pan Pnt Seat (blk) |
| 12 | 532 12 12-46 | Bracket Pnt Mounting Switch |
| 13 | 532 12 12-48 | Bushing Snap Blk Nyl 50 Id |

| KEY NO. | PART NO. | DESCRIPTION |
|---------|--------------|--------------------------------|
| 14 | 872 05 04-12 | Bolt Rdhd Sht Nk 1/4-20x1-1/2 |
| 15 | 532 13 43-00 | Spacer Split |
| 16 | 532 12 12-50 | Spring Cprsn Plate SW 1.310 Ga |
| 17 | 532 12 39-76 | Nut Lock 1/4 Lge Flg Gr 5 Zinc |
| 21 | 532 17 18-52 | Bolt Shoulder 5/16-18 Unc-2A |
| 22 | 873 80 05-00 | Nut Hex Lock w/Ins 5/16-18 |
| 23 | 871 11 08-14 | Bolt Hex Black |
| 24 | 819 17 19-12 | Washer 17/32 X 1-3/16 X 12 Ga. |
| 25 | 532 12 70-18 | Bolt Shoulder 5/16-18 X 62 |
| 26 | 810 04 08-00 | Washer Lock Hvy Hlcl Spr 1/2 |

NOTE: All component dimensions given in U.S. inches.
1 inch = 25.4 mm

REPAIR PARTS

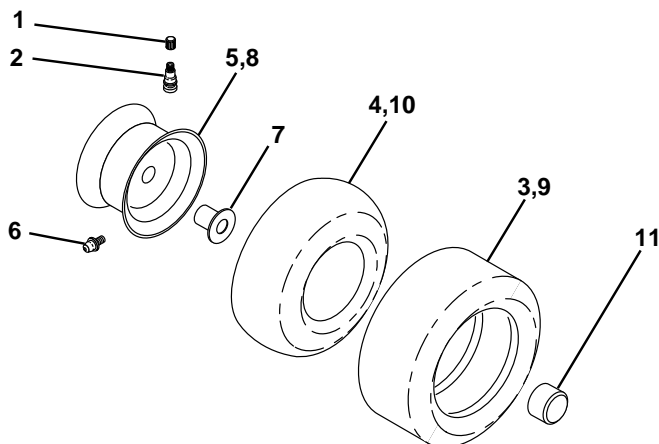
TRACTOR- -MODEL NO. REQ1192RB (REQ1192RBA), PRODUCT NO. 964 79 19-00
DECALS



| KEY NO. | PART NO. | DESCRIPTION |
|---------|--------------|-------------------------------|
| 1 | 532 14 54-98 | Decal Read Owner's Manual Sym |
| 2 | 532 18 47-64 | Decal Hp Engine |
| 6 | 532 18 04-32 | Decal Fender 100 OB/CE |
| 10 | 532 14 50-05 | Decal Bat Dan/Poi P/L Sym Wpn |
| 11 | 532 18 21-66 | Decal Mower Cut Finger Symbol |
| 12 | 532 15 97-37 | Decal Brake/Clutch Symbol Lt |
| 13 | 532 18 04-35 | Decal Warn Back Plate CRD |
| 14 | 532 15 97-36 | Decal Chassis Hot Muffler |
| 17 | 532 14 08-37 | Decal Saddle Brake Parking |

| KEY NO. | PART NO. | DESCRIPTION |
|---------|--------------|---------------------------|
| 20 | 532 18 11-48 | Decal Chassis |
| 21 | 532 16 62-86 | Decal Hex Belt Sch 92 CRD |
| — | 532 18 10-90 | Pad Footrest RH |
| — | 532 13 83-11 | Decal Lift Handle |
| — | 532 18 26-21 | Decal Bagger Frame |
| — | 532 18 10-91 | Pad Footrest LH |
| — | 532 18 52-30 | Manual Operator's (Euro) |
| — | 532 18 51-88 | Manual Parts |

WHEELS & TIRES

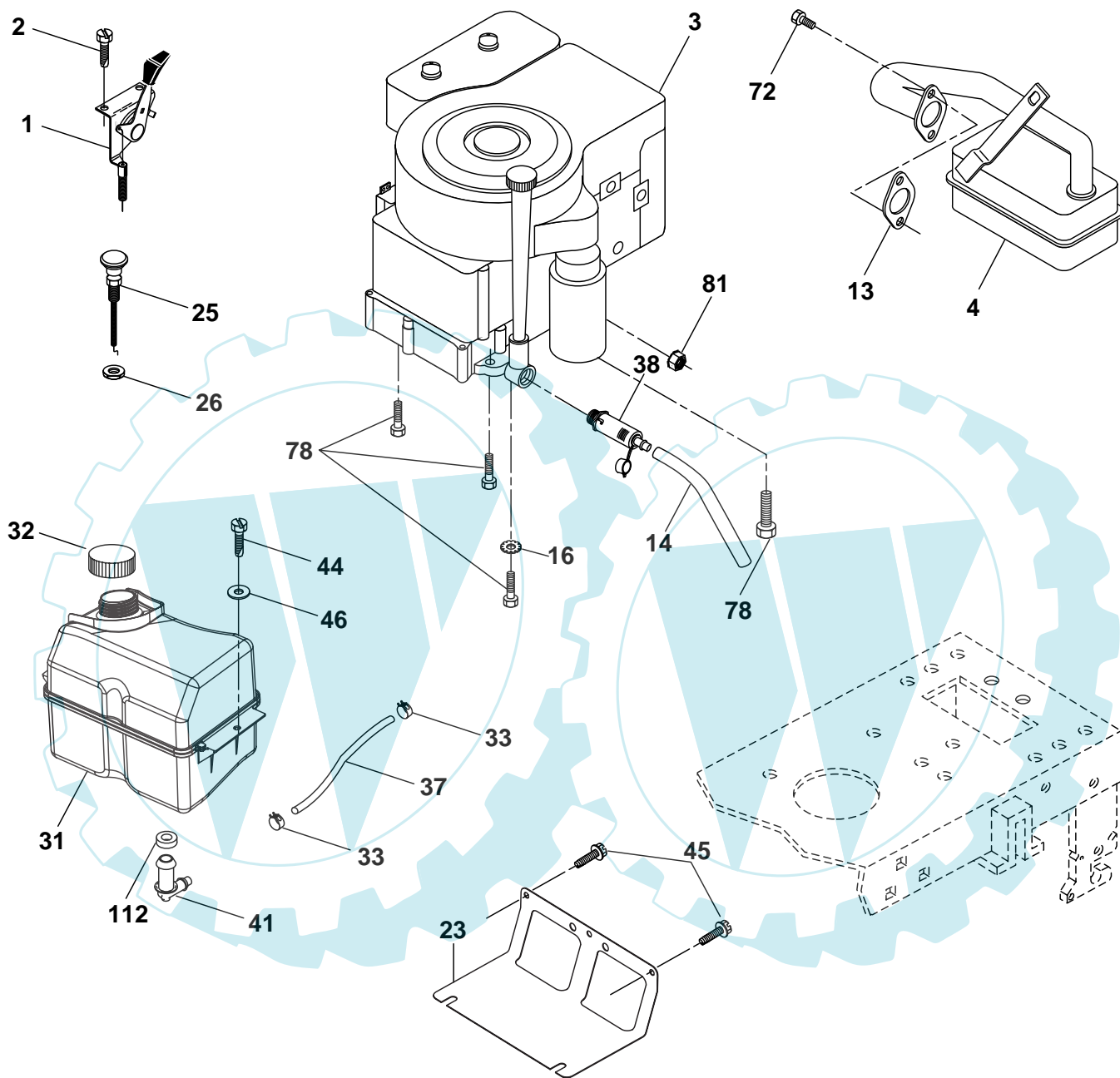


| KEY NO. | PART NO. | DESCRIPTION |
|---------|--------------|--------------------------------|
| 1 | 532 05 91-92 | Cap Value Tire |
| 2 | 532 06 51-39 | Stem Value |
| 3 | 532 10 62-22 | Tire F Ts 15 X 6 0 - 6 Service |
| 4 | 532 05 99-04 | Tube Inner Front #35060 |
| 5 | 532 18 33-37 | Rim Asm 6"front Service |
| 6 | 532 12 49-57 | Bearing Grease |
| 7 | 532 12 49-59 | Bearing Flange |
| 8 | 532 18 33-38 | Rim Asm 8"rear Service |
| 9 | 532 12 46-35 | Tire R Ts 20 x 8-8 Service |
| 10 | 532 12 49-26 | Tube Rear 9 5 X 8 Service |
| 11 | 532 17 50-39 | Cap Axle Blk 1 50 X 1 00 |
| -- | 532 14 43-34 | Sealant, Tire (10 oz. tube) |

NOTE: All component dimensions given in U.S. inches
1 inch = 25.4 mm

REPAIR PARTS

TRACTOR- -MODEL NO. REQ1192RB (REQ1192RBA), PRODUCT NO. 964 79 19-00
ENGINE



OPTIONAL EQUIPMENT
Spark Arrester

REPAIR PARTS

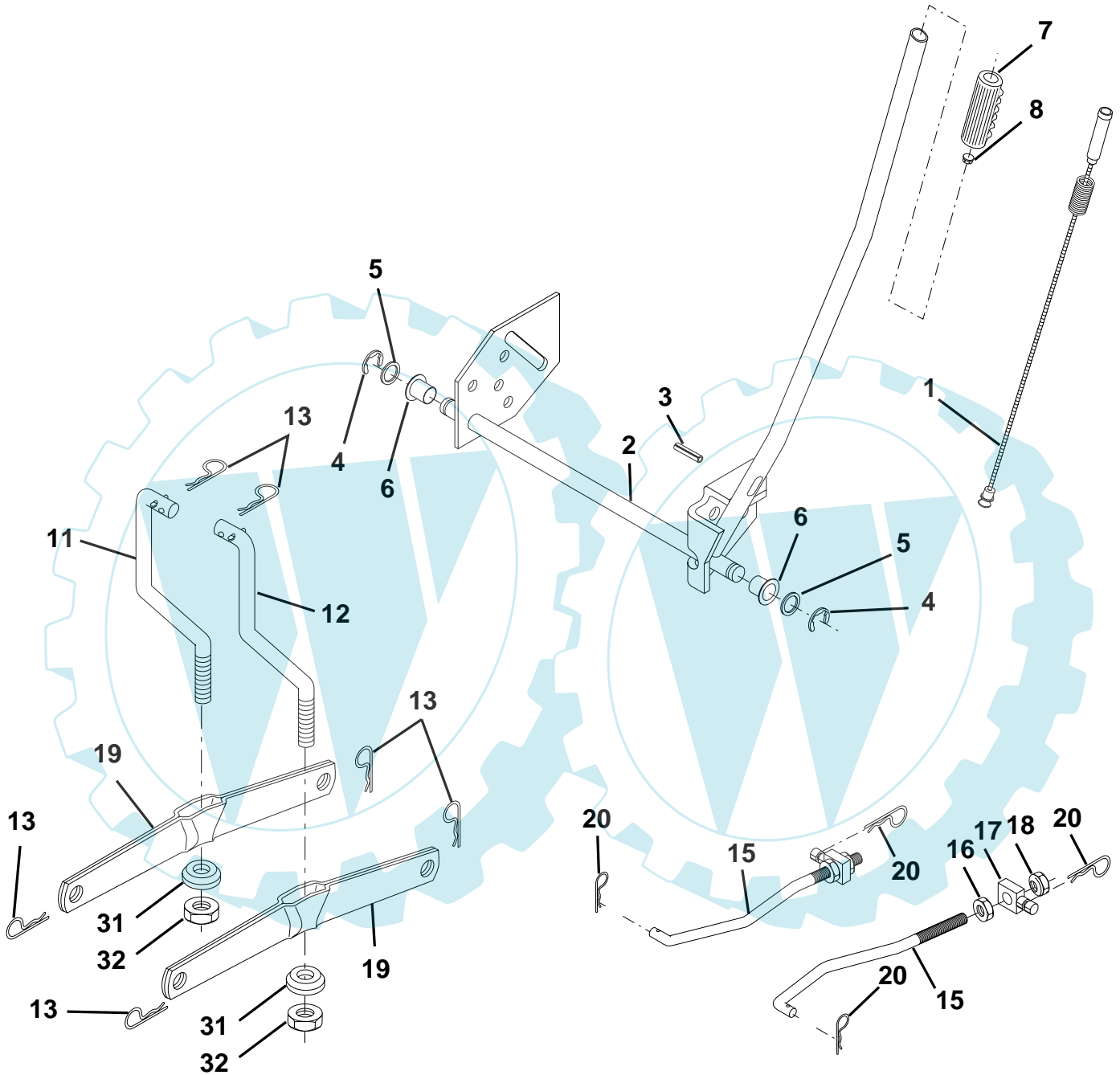
TRACTOR- -MODEL NO. REQ1192RB (REQ1192RBA), PRODUCT NO. 964 79 19-00
ENGINE

| KEY NO. | PART NO. | DESCRIPTION |
|---------|---------------------|---|
| 1 | 532 17 05-51 | Control Throt |
| 2 | 817 72 04-08 | Screw Hex Thd Cut 1/4-20x1/2 |
| 3 | ----- | Engine B&S Model 21A807 (Order Parts from Engine Manufacturer) |
| 4 | 532 17 97-58 | Muffler Exhaust B&S Lt |
| 13 | 532 16 52-91 | Gasket 1 313 Id Tin Plated |
| 14 | 532 14 84-56 | Tube Drain Oil Easy |
| 16 | 811 05 06-00 | Washer Lock Ext Tooth 3/8 |
| 23 | 532 16 98-37 | Shield Browning/Debris Guard |
| 25 | 532 18 09-45 | Control Choke |
| 26 | 873 92 06-00 | Nut Keps 3/8-24 Unf |
| 29 | 532 13 71-80 | Arrestor Spark |
| 31 | 532 18 55-34 | Tank Fuel 2.00 Fr |
| 32 | 532 14 05-27 | Cap Asm Fule Top Vent N/Lany |
| 33 | 532 12 34-87 | Clamp Hose Blk |
| 37 | 532 13 70-40 | Line Fuel 20" |
| 38 | 532 18 16-54 | Plug Drain Oil Easy |
| 41 | 532 13 92-77 | Stem Tank Fuel |
| 44 | 817 67 04-12 | Screw Hexwsh Thdrol 3/8-16 x 3/4 |
| 45 | 817 00 06-12 | Screw 3/8-16 x 3/4 |
| 46 | 819 09 14-16 | Washer 9/32 X 7/8 X 16ga |
| 72 | 532 18 39-06 | Screw Socket Head 5/16-18 x 1 |
| 78 | 817 06 06-20 | Screw 3/8-16x1-1/4 |
| 81 | 873 51 04-00 | Nut Keps Hex 1/4-20 UNC |
| 112 | 532 12 49-52 | Bushing |

NOTE: All component dimensions given in U.S. inches
1 inch = 25.4 mm

REPAIR PARTS

TRACTOR- -MODEL NO. REQ1192RB (REQ1192RBA), PRODUCT NO. 964 79 19-00
MOWER LIFT



REPAIR PARTS

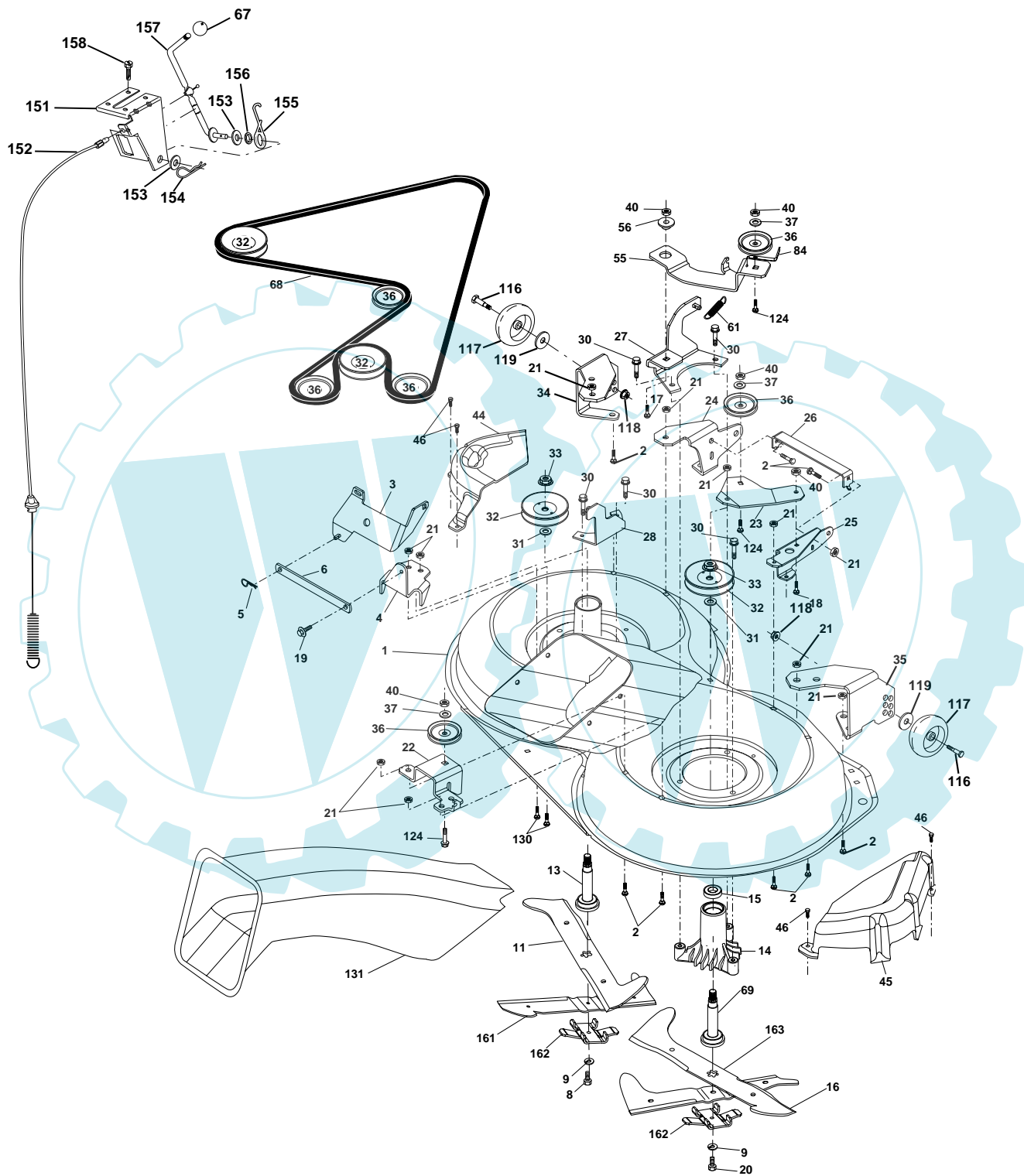
TRACTOR- -MODEL NO. REQ1192RB (REQ1192RBA), PRODUCT NO. 964 79 19-00
MOWER LIFT

| KEY NO. | PART NO. | DESCRIPTION |
|---------|--------------|-----------------------------------|
| 1 | 532 15 94-60 | Washer Asm Inner Spring W/Plunger |
| 2 | 532 15 94-71 | Shaft Asm. Lift |
| 3 | 532 10 57-67 | Pin Groove |
| 4 | 812 00 00-02 | E Ring #5133-62 |
| 5 | 819 21 16-21 | Washer 21/32 x 1 x 21 Ga. |
| 6 | 532 12 01-83 | Bearing Nylon |
| 7 | 532 10 94-13 | Grip Handle Bicycle |
| 8 | 532 12 45-26 | Button Plunger Black |
| 11 | 532 16 58-29 | Link Asm Lift L.H. |
| 12 | 532 16 58-31 | Link Asm Lift R.H. |
| 13 | 532 12 46-70 | Retainer Spring |
| 15 | 532 17 32-88 | Link Front |
| 16 | 873 35 08-00 | Nut Jam Hex 1/2-13 Unc |
| 17 | 532 17 56-89 | Trunnion Blk Zinc |
| 18 | 873 80 08-00 | Nut Lock w/Wsh 1/2-13 Unc |
| 19 | 532 13 98-68 | Arm Suspension Mower |
| 20 | 532 16 35-52 | Retainer Spring |
| 31 | 532 16 98-65 | Bearing, Pvt. Lift. |
| 32 | 873 54 06-00 | Nut Crownlock 3/8-24 |

NOTE: All component dimensions given in U.S. inches
1 inch = 25.4 mm

REPAIR PARTS

TRACTOR- -MODEL NO. REQ1192RB (REQ1192RBA), PRODUCT NO. 964 79 19-00
MOWER



REPAIR PARTS

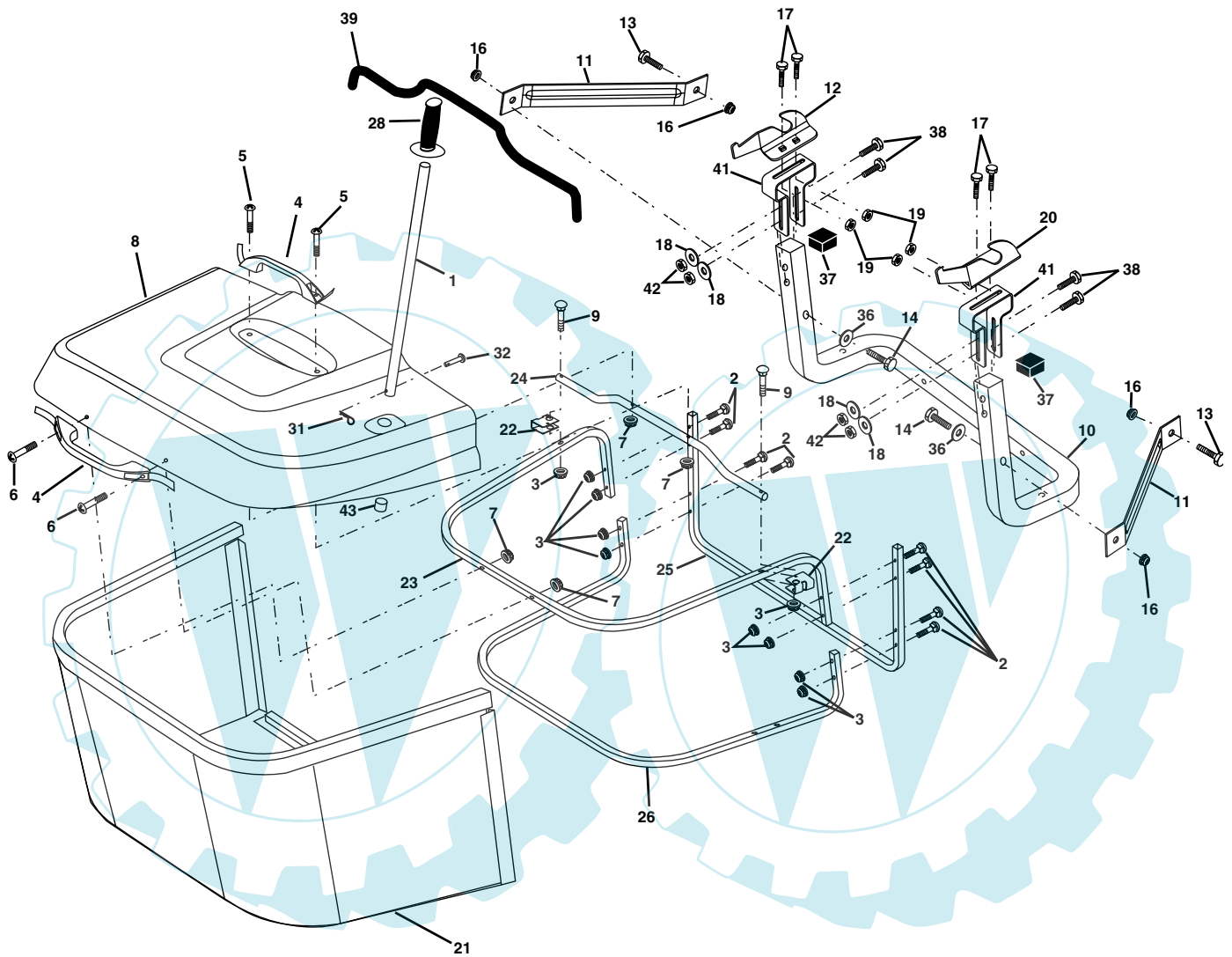
TRACTOR- -MODEL NO. REQ1192RB (REQ1192RBA), PRODUCT NO. 964 79 19-00
MOWER

| KEY NO. | PART NO. | DESCRIPTION | KEY NO. | PART NO. | DESCRIPTION |
|---------|--------------|-----------------------------------|---------|---------------------|---------------------------------|
| 1 | 532 16 55-52 | Housing Asm. Mower | 44 | 532 17 55-38 | Cover Mandrel Lh |
| 2 | 872 14 05-06 | Bolt Rdhd Sqnk 5/16-18 Unc x 3/4 | 45 | 532 17 55-39 | Cover Mandrel Rh |
| 3 | 532 16 55-69 | Bracket Asm. S-Bar Chass | 46 | 532 13 77-29 | Screw Thd Roll 1/4-20 x 5/8 |
| 4 | 532 16 55-58 | Bracket Bar Sway Deck | 55 | 532 16 54-45 | Arm Idler |
| 5 | 532 12 46-70 | Retainer Spring | 56 | 532 16 57-23 | Spacer Retainer PM Mower |
| 6 | 532 16 55-57 | Bar Sway | 61 | 532 16 59-45 | Spring Tension Belt |
| 8 | 532 18 17-12 | Bolt 3/8-24 x 1.25 Gr8 Patched | 67 | 532 10 69-32 | Knob Rd 3/8-16 Plstc Thds Blk |
| 9 | 810 03 06-00 | Washer Lock Hvy 3/8 Unplated | 68 | 532 18 02-17 | Hex-Belt 92 Mower |
| 11 | 532 17 00-37 | Blade 3-1 Lh | 69 | 532 16 54-82 | Shaft Asm W/Lwr Brg Rh Thd CRD |
| 13 | 532 13 76-45 | Shaft Asm. W/Lower Bearing | 84 | 532 15 60-85 | Keeper Belt Idler |
| 14 | 532 12 87-74 | Housing Mandrel Vented (Machd) | 116 | 532 18 42-19 | Bolt Shoulder |
| 15 | 532 11 04-85 | Bearing Ball Mandrel | 117 | 532 13 39-57 | Wheel Gage Donut Wide |
| 16 | 532 17 00-38 | Blade 3-1 Rh | 118 | 873 93 06-00 | Nut Centerlock 3/8-16 Unc |
| 17 | 872 14 06-10 | Bolt Carriage 3/8-16 x 1-1/4 | 119 | 819 12 14-14 | Washer 3/8 x 7/8 x 14 Ga. |
| 18 | 872 11 06-06 | Bolt Rdhd Sqnk 3/8-16 x 3/4 | 124 | 872 11 06-12 | Bolt Carr Sh 3/8-16 x 1-1/2 Gr5 |
| 19 | 532 13 28-27 | Bolt Shoulder 5/16-18 Thd Form | 130 | 872 11 05-06 | Bolt Rdhdsqnk 5/16-18 Unc x 3/4 |
| 20 | 532 18 17-13 | Bolt 3/8-24 x 1.25 Gr8 Ptch Lhthd | 131 | 532 16 56-61 | Chute Bagger CRD |
| 21 | 873 68 05-00 | Nut Crown Lock 5/16-18 | 151 | 532 16 96-70 | Bracket Clutch Cable |
| 22 | 532 16 52-43 | Bracket Idler Sprt RR | 152 | 532 17 60-74 | Cable Clutch CRD Service |
| 23 | 532 16 54-46 | Bracket Idler Sprt RF | 153 | 532 16 96-74 | Washer Flat 3/8" Type B |
| 24 | 532 16 52-42 | Bracket Suspension LF | 154 | 532 16 96-75 | Spring Retainer |
| 25 | 532 16 52-44 | Bracket Suspension RF | 155 | 532 16 96-71 | Spring Retainer Lvr Cltch Cab |
| 26 | 532 16 52-37 | Brace Support Susp Frt CRD | 156 | 532 16 96-72 | Spacer Clutch Cable |
| 27 | 532 16 55-68 | Bracket Asm. Susp RR | 157 | 532 16 96-69 | Rod Clutch Cable 3/8" |
| 28 | 532 16 55-67 | Bracket Asm. Susp LR | 158 | 817 72 04-08 | Screw Hex Thdcut 1/4-20 x 5/8 |
| 30 | 532 17 39-84 | Screw Thd Rolling Washer Head | 161 | 532 18 04-18 | Blade Cross Lh 92 |
| 31 | 532 12 99-63 | Washer Spacer Mower Vented | 162 | 532 18 60-13 | Adpater Blade Cross |
| 32 | 532 15 35-31 | Mandrel Pulleys 36 & 46 | 163 | 532 18 04-19 | Blade Cross Rh 92 |
| 33 | 532 17 83-42 | Nut Flg Top Lock | -- | 532 18 18-57 | Mandrel Asm Service |
| 34 | 532 16 52-39 | Bracket Gauge Wheel Lf | -- | 532 18 18-58 | Mandrel Asm CRD Lh Threads SVC |
| 35 | 532 16 52-38 | Bracket Gauge Wheel Rf | -- | 532 18 17-65 | Replacement Mower Complete |
| 36 | 532 14 67-63 | Pulley Idler V-Groove Dim 4.25 | | | |
| 37 | 819 13 13-16 | Washer 11/32 x 13/16 x 16 Ga | | | |
| 40 | 873 68 06-00 | Nut Crownlock 3/8-16 Unc | | | |

NOTE: All component dimensions given in U.S. inches
1 inch = 25.4 mm

REPAIR PARTS

TRACTOR- -MODEL NO. REQ1192RB (REQ1192RBA), PRODUCT NO. 964 79 19-00
BAGGER

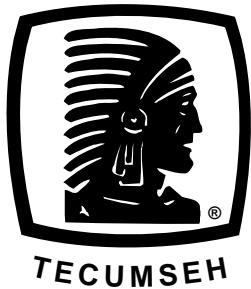


REPAIR PARTS

TRACTOR- -MODEL NO. REQ1192RB (REQ1192RBA), PRODUCT NO. 964 79 19-00
BAGGER

| KEY NO. | PART NO. | DESCRIPTION |
|---------|--------------|-------------------------------------|
| 1 | 532 16 52-49 | Tube Handle Bagger CRD |
| 2 | 872 14 04-16 | Bolt Carriage 1/4-20 X 2.0 Gr.5 |
| 3 | 532 12 39-76 | Nut Lock 1/4 Lge Flg Gr. 5 Zinc |
| 4 | 532 16 99-16 | Handle Bagger w/Lvrs Gr. 5 Zinc |
| 5 | 874 98 10-24 | Screw Pan Head #10-24 X 1.50 Blk |
| 6 | 874 98 10-32 | Screw Pan Hd |
| 7 | 873 40 10-00 | Nut Wiz Lock Hex Serr/Hd #10-24 |
| 8 | 532 18 13-54 | Cover Bagger Steel |
| 9 | 872 14 04-18 | Bolt Carriage 1/4-20 x 2.25d x Gr.5 |
| 10 | 532 18 12-82 | Tube Support Bagger CRD |
| 11 | 532 16 57-19 | Bracket Support Upper Bag CRD |
| 12 | 532 16 96-85 | Bracket Horiz. Adj Bagger |
| 13 | 872 11 06-06 | Bolt Rdhd Sht Sqnk 3/8-16 X 3/4 |
| 14 | 874 52 06-36 | Bolt Hex 3/8-16 X 2-1/4 Gr. 5 |
| 16 | 873 90 06-00 | Nut Lock Flg 3/8-16 Unc |
| 17 | 872 14 05-06 | Bolt Rdhd Sht Sqnk 5/16-18Unc X 3/4 |
| 18 | 819 11 12-16 | Washer 11/32 x 3/4 x 16 Ga. |
| 19 | 873 90 05-00 | Nut Lock Hex Flange 5/16-18 |
| 20 | 532 16 96-84 | Bracket Horiz Adj Bagger |
| 21 | 532 18 08-80 | Bag Asm CRD |
| 22 | 532 16 57-81 | Bracket Side Bagger CRD |
| 23 | 532 16 57-82 | Tube Upper Bagger CRD |
| 24 | 532 16 57-83 | Tube Pivot Bagger CRD |
| 25 | 532 18 01-24 | Tube Front Bagger CRD |
| 26 | 532 16 57-85 | Tube Lower Bagger CRD |
| 28 | 532 16 57-87 | Grip Handle Black |
| 31 | 532 12 47-88 | Retainer Spring 1" Zinc/Cad |
| 32 | 532 12 68-75 | Rivet Rd Hd Drilled 3/8 Dia |
| 36 | 819 13 20-16 | Washer 13/32 x 1-1/4 x 16 Ga. |
| 37 | 532 17 54-01 | Plug Support Bagger CRD |
| 38 | 872 01 05-20 | Bolt 5/16-18 x 2-1/2 |
| 39 | 532 18 09-85 | Seal Trim 37" |
| 41 | 532 16 96-83 | Bracket Vert Adj Bagger CRD |
| 42 | 873 80 05-00 | Nut Lock Hx w/Ins 5/16-18 Unc |
| 43 | 532 17 40-83 | Plug Tubing End |

NOTE: All component dimensions given in U.S. inches
1 inch = 25.4 mm



SERVICE POLICY WARRANTY



Issued January 1980
Revised January 1991

LIMITED WARRANTIES FOR NEW PEERLESS GEAR POWER TRAIN COMPONENTS

A. Products Warranted

Peerless Gear and Machine Division of Tecumseh Products Company ("Tecumseh"), subject to the limitations contained below, will, at its option, repair or replace, without charge for parts or labor only, any part of a new Power Train Component (which as used herein means and includes the transaxle, gear box, transmission, differential and right angle drives, and any part of the Power Train Component), EXCEPT any new Power Train Component incorporated in equipment used for commercial or rental purposes, which is found upon examination by any Tecumseh Authorized Service Outlet or by Tecumseh's factory in Grafton, Wisconsin, to be DEFECTIVE IN MATERIAL AND/OR WORKMANSHIP if received by Tecumseh or a Tecumseh Authorized Service Outlet for such examination within TWO YEARS from the date of sale to the original consumer purchaser of Peerless Series 820, 900, 910, 915, 920, 930 transaxles and Series 1100 angle drive and ONE YEAR for all other Peerless products. New Power Train Components incorporated in equipment used for commercial purposes are warranted in the same manner and to the same extent EXCEPT such Power Train Components are warranted for NINETY (90) DAYS ONLY, and must be received by Tecumseh or by a Tecumseh Authorized Service Outlet for such examination within 90 days from the date of sale to the original purchaser. New Power Train Components incorporated in equipment used for rental purposes are warranted in the same manner and to the same extent EXCEPT such Power Train Components are warranted for THIRTY (30) DAYS ONLY, and must be received by Tecumseh or a Tecumseh Authorized Service Outlet within 30 days from the date of sale to the original purchaser.

B. Products And Items Not Warranted

1. Alterations or Modifications of Power Train Components.
2. Accidents, Normal Maintenance, Failure to follow the Original Equipment Manufacturer's Manual.

This warranty covers only parts of new Power Train Components which are found upon examination to be defective in material or workmanship as delivered to the original purchaser. This warranty does not cover defects caused by depreciation or damage caused by normal wear, accidents, improper maintenance, improper use or abuse of the product, failure to follow the instructions contained in an Instruction Manual for the operation of the Power Train Component and parts. The cost of normal maintenance and replacement of service items which are not defective shall be paid for by the original purchaser.

C. Securing Warranty Service

Warranty service can be arranged for by contacting either a Tecumseh Authorized Service Outlet (any Tecumseh Registered Service Dealer, Tecumseh Authorized Service Distributor, or Tecumseh Central Warehouse Distributor) or by contacting Tecumseh, c/o Service Manager, Engine and Transmission Group Service Division, 900 North Street, Grafton, Wisconsin 53024. Warranty service can only be performed by a Tecumseh Authorized Service Outlet or by Tecumseh at its factory in Grafton, Wisconsin. At the time of requesting warranty service, evidence must be presented of the date of sale to the original purchaser. The purchaser shall pay any charges for making service calls and/or for transporting the product to and from the place where the inspection and/or warranty work is performed. The purchaser shall be responsible for any damage or loss incurred in connection with the transportation of Power Train Components and/or part(s) of the Power Train Components submitted for inspection and/or warranty work.

D. Limitation of Damages and Implied Warranties

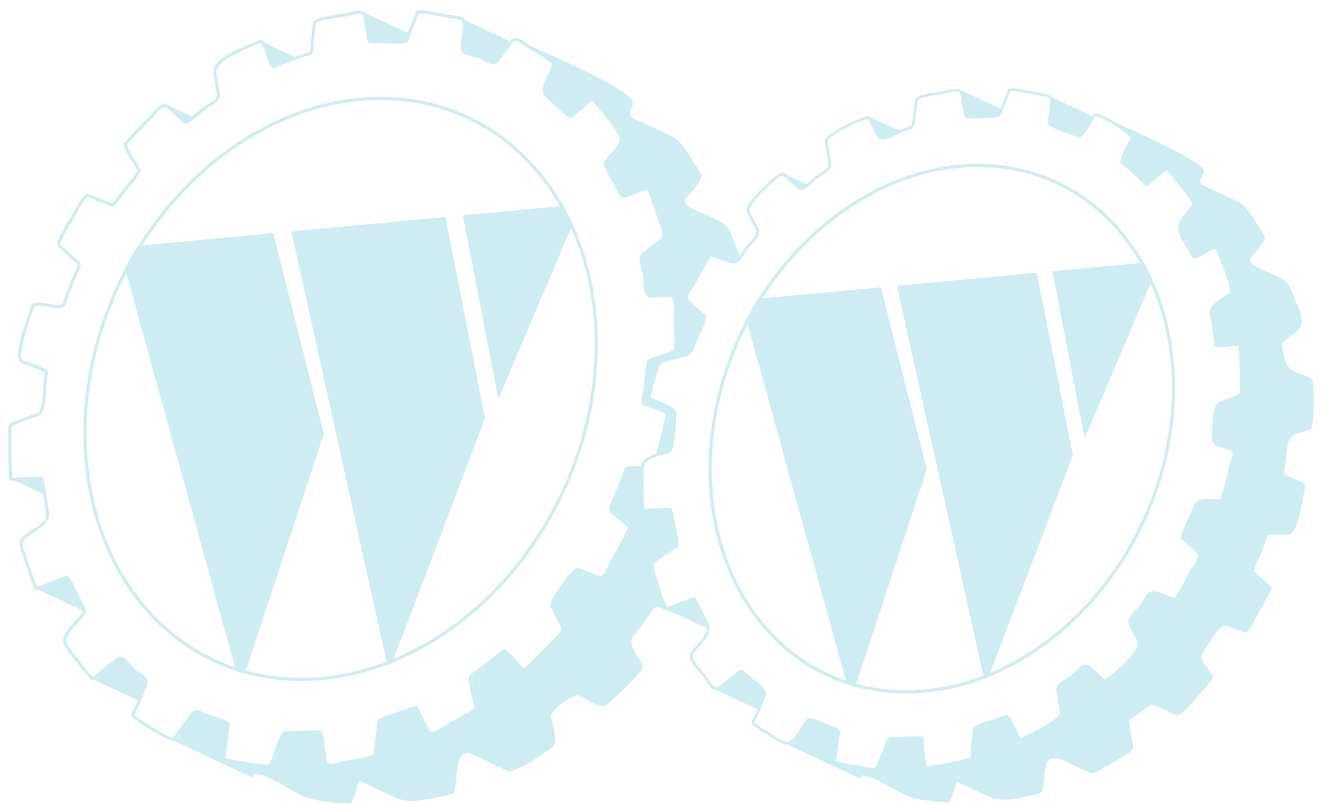
The foregoing EXPRESSED WARRANTY IS IN LIEU OF ALL OTHER EXPRESS WARRANTIES. Neither Tecumseh nor any of its affiliates makes any warranties, representations or promises, written or oral, as to the quality of the Power Train Component or any of its parts, other than as set forth herein.

ANY IMPLIED WARRANTY OF MERCHANTABILITY OR FITNESS FOR A PARTICULAR PURPOSE, TO THE EXTENT THAT EITHER MAY APPLY TO ANY PART(S) OF POWER TRAIN COMPONENTS, SHALL BE LIMITED IN DURATION TO THE PERIODS OF THE EXPRESSED WARRANTIES DEFINED IN PARAGRAPH A HEREOF. IN NO EVENT WILL TECUMSEH BE LIABLE FOR ANY INCIDENTAL, CONSEQUENTIAL OR SPECIAL DAMAGES AND/OR EXPENSES. Some states do not allow limitations on how long an implied warranty lasts or the exclusion or limitation of incidental or consequential damages, so the above limitation(s) or exclusion(s) may not apply to you. This warranty gives you specific legal rights and you may also have other legal rights which vary from state to state.

E. No Dealer Warranty

Tecumseh neither assumes nor authorizes any other person, natural or corporate, to assume for Tecumseh any other obligations or liabilities in connection with or with respect to any part(s) of a Power Train Component. The seller or dealer of part(s) of a Power Train Component has no authority, whatsoever, to make any representations or promises on behalf of Tecumseh or to modify the terms or limitations of Tecumseh's warranty in any way.

SERVICE NOTES





Rally

Ihr Ersatzteilspezialist im Internet